



RAFFAELLO is the brand new electric projection screen model developed by ScreenInt. and as all the other ScreenInt. products is totally manufactured in Italy.

The screen has an innovative mechanical construction which makes it an ideal and unique solution for in-ceiling installations both in residential and AV professional environments.

The peculiarity of **RAFFAELLO** is that, once mounted

inside the false ceiling, the product is completely hidden and **no visible openings can be seen.**

The mechanism is composed by two **extremely silent and fast motors**, one for the opening of the trap door and the other for rolling down of the projection screen.

The screen can be supplied in all possible formats and also in custom sizes.

A wide range of projection surfaces are available to meet all your needs on **RAFFAELLO**.

AVAILABLE PROJECTION SURFACES

White	gain 1.2
Matte White	gain 1.2
Lumi Grey	gain 0.8
Cinesound	gain 0.7
Microperforated	gain 1.1
Lumi Grey Microperforated	gain 0.8
Rear Plus	gain 1.1 (no black borders)
FrontRear	gain 0.9 (no black borders)
High Matte	gain 1.25
Hi-Light	gain 2.3

SIZES AVAILABLE ON RAFFAELLO HOME CINEMA

4:3 Ratio	16:10 Ratio	16:9 Ratio	Total housing dimension -A-
cm. 160x120	cm. 160x100	cm. 160x90	cm. 211
cm. 180x135	cm. 180x112	cm. 180x101	cm. 231
cm. 200x150	cm. 200x125	cm. 200x112	cm. 251
cm. 220x165	cm. 220x137	cm. 220x124	cm. 271
cm. 250x190	cm. 250x156	cm. 250x140	cm. 301
cm. 300x225	cm. 300x187	cm. 300x169	cm. 351
cm. 350x265	cm. 350x219	cm. 350x197	cm. 401
cm. 400x300	cm. 400x250	cm. 400x225	cm. 451



TECHNICAL SPECIFICATIONS

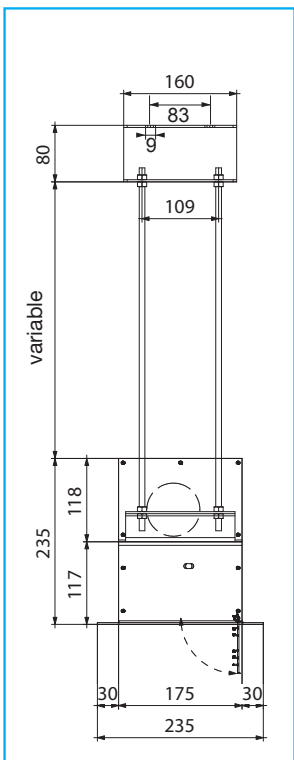
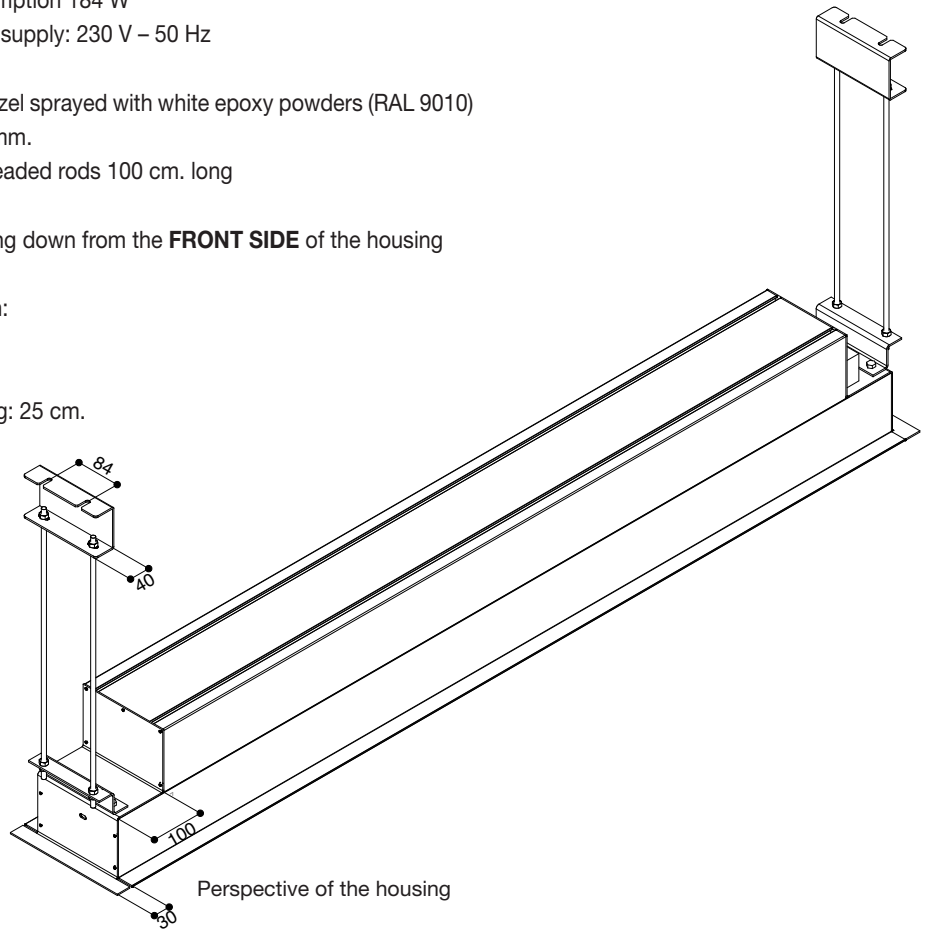
- Fast and silent motor provides a smooth and quiet rolling down
- Motor screen characteristics:
 - Power 9 Nm
 - Speed 26 Rpm
 - Consumption 184 W
 - Power supply: 230 V – 50 Hz

LENGTH OF THE HOLE:

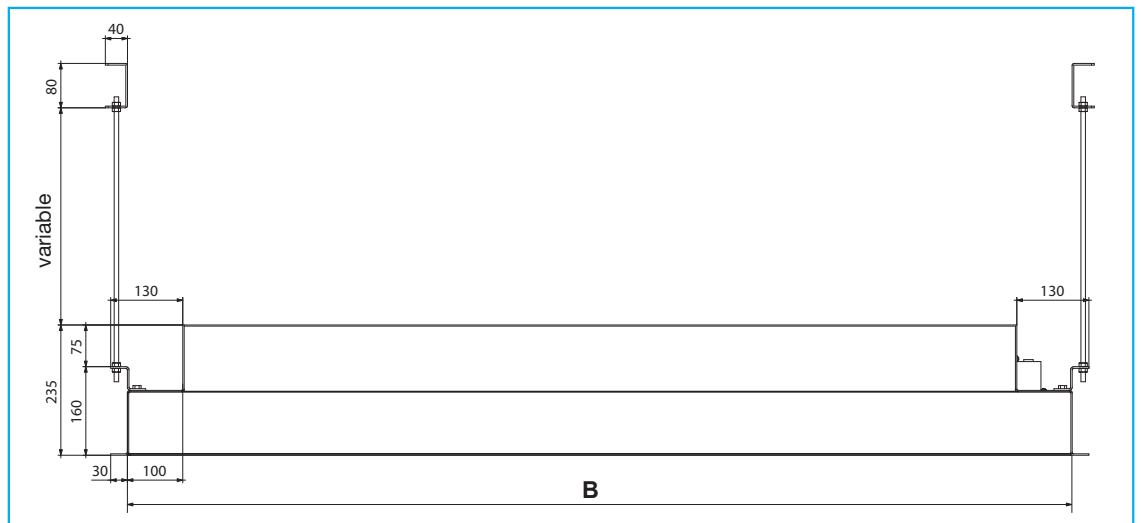
SCREEN MODEL	LENGTH
RAFFAELLO HOME CINEMA	Width of viewing area + 52 cm.

WIDTH OF THE HOLE: 19 CM.

- Housing manufactured from aluminium
- Lower part of the housing , trap door and bezel sprayed with white epoxy powders (RAL 9010)
- Black dowel bar: height 35 mm. - depth 20mm.
- Two ceiling mounting brackets with four threaded rods 100 cm. long
- On/Off switcher included
- Screen standard supplied with cloth dropping down from the **FRONT SIDE** of the housing
- Flame retardant projection surfaces
- All formats and sizes standard supplied with:
 - **5 cm. side black borders**
 - **30 cm. extra black drop**
- Minimum height needed into the false ceiling: 25 cm.



Front view of screen housing



Side section of screen housing

* The measures of the drawings are expressed in millimetres.

