

euroscreen® Thor Tab Tension

The Thor Tab Tension model range over electrical projection screens from 250—450cm width and holds several of the much appreciated features such as integrated multifunctional Euroscreen® Control Box, adjustable inner bracket for easy level adjustment of screen, and sleek, stylish design of the aluminium case.

For convenient use the easily encoded Control Box is unified with the case and provides a beneficial choice of RF, IR, Dry Contact/Contact Closure, 12V trigger or RS232 control. Simply just choose your preference of optional control device. As standard both wall brackets and flexible mounting brackets for ceiling installation are included as standard. Optional recessed ceiling are also available. The cassette has wall channel-fixed fitting and is finished in a contemporary white colour with matching aluminium bottom dowel. The tensioning function makes it possible to adjust the flatness of the surface and therefore provides a perfectly flat viewing surface for years and years.

Thor is offered in a wide range of standard sizes and several projection formats. When projection format with black borders are required, a matt true black border is welded onto the screen surface for a powerful framework to the projected image.

SCREEN SURFACES



FlexWhite

Pliable matt white front surface, superb colour rendition, Full HD compliant. Gain 1.0.



ReAct 2.1

Pliable silver grey front surface, enhances colour contrast in bright light, Full HD compliant. Gain 1.0.



FlexRear

Neutral grey rear projection surface. Only available without borders. Gain 2.5.

PROJECTION FORMATS



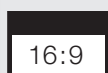
The screen format is 4:3. No black borders.



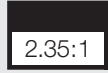
The screen has 5 cm wide black borders. The format of the viewing area is 4:3.



The screen has 5 cm wide black borders. The format of the viewing area is 16:10.



The screen has 5 cm wide black borders. The format of the viewing area is 16:9.



The screen has 5 cm wide black borders. The format of the viewing area is 2,35:1.

CONTROL OPTIONS

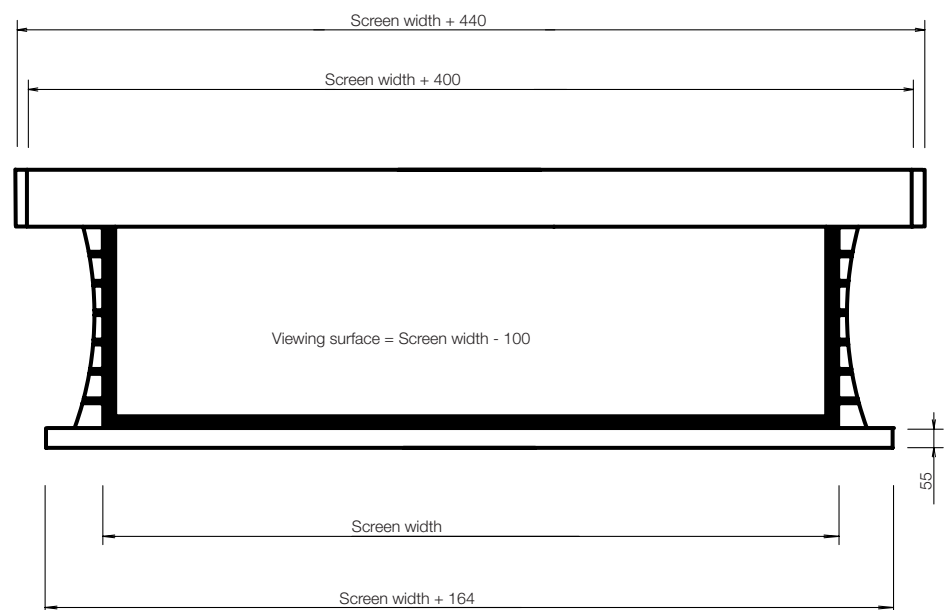


The screen is supplied with the Euroscreen® Control Box. It is recommended to add additional controls for convenience. The basic add-ons are:

- IR transmitter
- RF transmitter
- AutoLink
- 12V trigger cable

For full description of options please see separate spec sheet.

SCREEN DIMENSIONS



ELECTRICAL SPECIFICATIONS

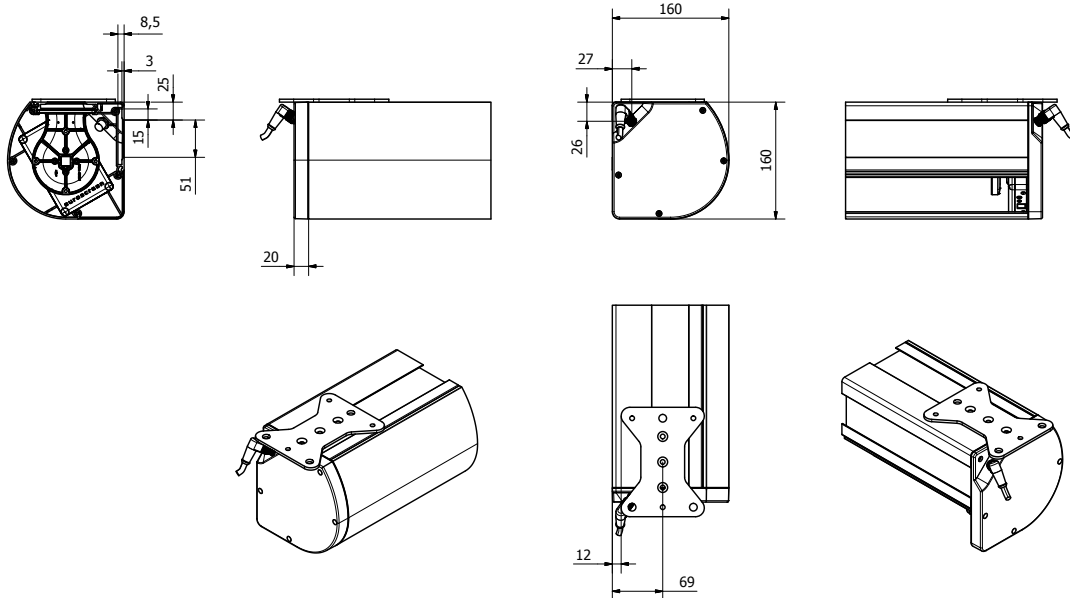
Motor Specifications

Voltage: 230 VAC Frequency: 50/60 Hz
Power: 200 W Momentum: 30Nm
Speed: 17 rpm Protection: IP44

The motor is grounded.

euroscreen® Thor Tab Tension

CASE DIMENSIONS

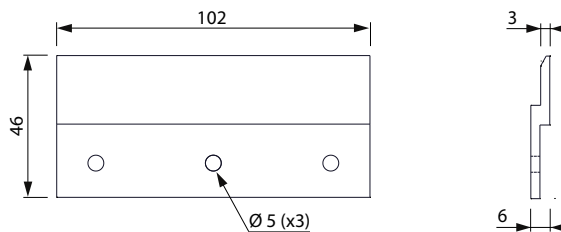


Connector only displayed for visual purposes.

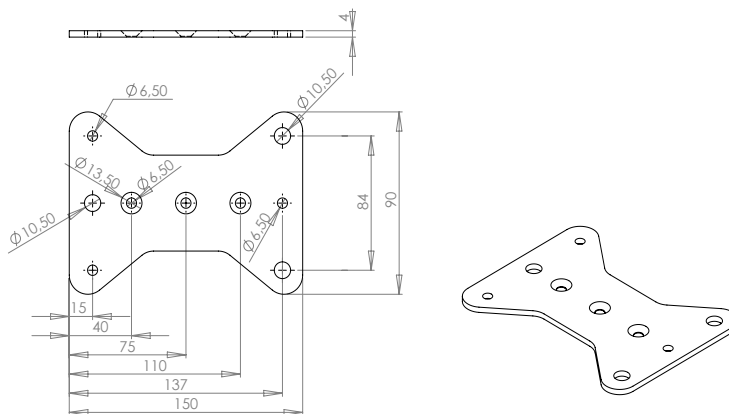
Not supplied with screen!

BRACKET DIMENSIONS

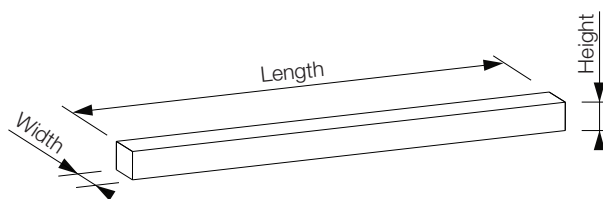
Brackets – Wall



Brackets – Ceiling



PACKAGING DIMENSIONS



Screen width	Box length	Box width	Box height
2500	3240	260	260
2750	3490	260	260
3000	3740	260	260
3250	3990	260	260
3500	4240	260	260
3750	4490	260	260
4000	4740	260	260
4250	4990	260	260
4400	5140	260	260