

euroscreen® Thor

The Thor model range over electrical projection screens from 250–450cm width and holds several of the much appreciated features such as integrated multifunctional Euroscreen® Control Box, adjustable inner bracket for easy level adjustment of screen, and sleek, stylish design of the aluminium case.

For convenient use the easily encoded Control Box is unified with the case and provides a beneficial choice of RF, IR, Dry Contact/Contact Closure, 12V trigger or RS232 control. Simply just choose your preference of optional control device. As standard both wall brackets and flexible mounting brackets for ceiling installation are included as standard. Optional recessed ceiling are also available. The cassette has wall channel-fixed fitting and is finished in a contemporary white colour with matching aluminium bottom dowel.

Thor is offered in a wide range of standard sizes and several projection formats. When projection format with black borders are required, a matt true black border is welded onto the screen surface for a powerful framework to the projected image.

SCREEN SURFACES



Arctiq

Matt white front surface, fibre glass support, black-backed. Gain 1.0.



Xpert

White front surface, PVC free. Flame retardant (B1) Excellent surface flatness and colour temp. Gain 0.9.



FlexWhite

Pliable matt white front surface, superb colour rendition, Full HD compliant. Gain 1.0.

PROJECTION FORMATS

1:1

The screen format is 1:1. No black borders.

4:3

NO BLACK BORDERS

The screen format is 4:3. No black borders.

4:3

The screen has 5 cm wide black borders. The format of the viewing area is 4:3.

16:10

The screen has 5 cm wide black borders. The format of the viewing area is 16:10.

16:9

The screen has 5 cm wide black borders. The format of the viewing area is 16:9.

CONTROL OPTIONS

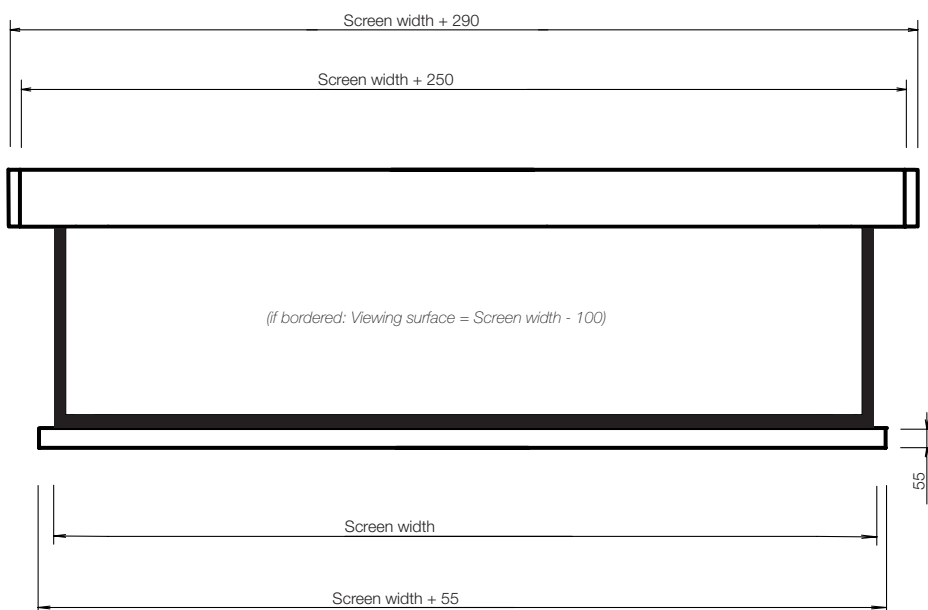


The screen is supplied with the Euroscreen® Control Box. It is recommended to add additional controls for convenience. The basic add-ons are:

- IR transmitter
- RF transmitter
- AutoLink
- 12V trigger cable

For full description of options please see separate spec sheet.

SCREEN DIMENSIONS



ELECTRICAL SPECIFICATIONS

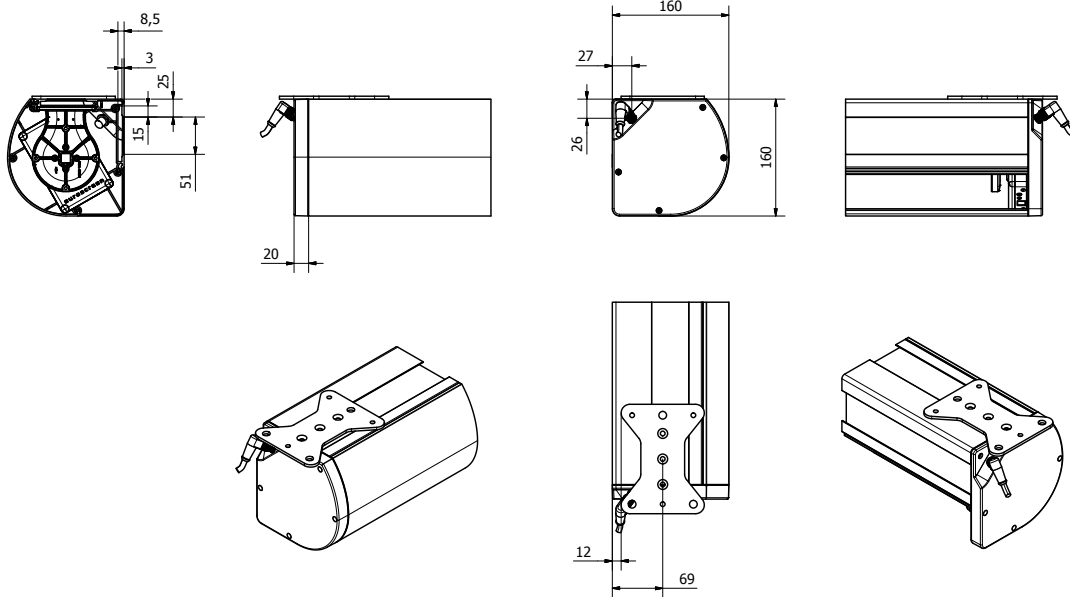
Motor Specifications

Voltage: 230 VAC Frequency: 50/60 Hz
 Power: 200 W Momentum: 30Nm
 Speed: 17 rpm Protection: IP44

The motor is grounded.

euroscreen® Thor Tab Tension

CASE DIMENSIONS

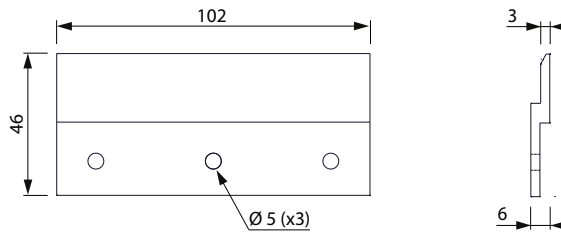


Connector only displayed for visual purposes.

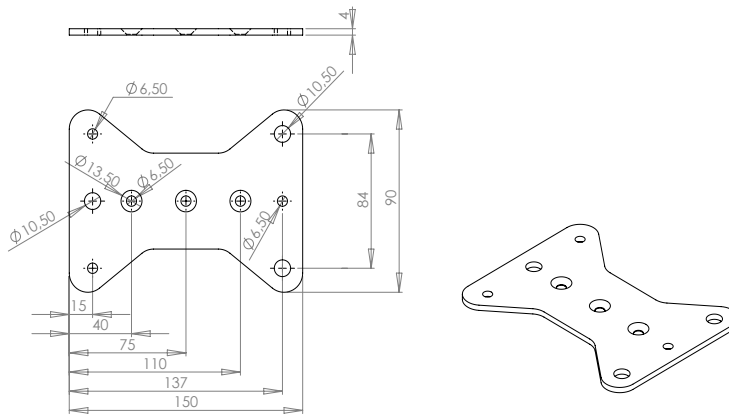
Not supplied with screen!

BRACKET DIMENSIONS

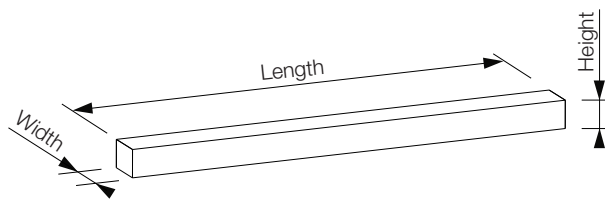
Brackets – Wall



Brackets – Ceiling



PACKAGING DIMENSIONS



Screen width	Box length	Box width	Box height
2500	3090	260	260
2750	3340	260	260
3000	3590	260	260
3250	3840	260	260
3500	4090	260	260
3750	4340	260	260
4000	4590	260	260
4250	4840	260	260
4400	4990	260	260