

Diplomat Electric

Tab Tension



Available Screen Fabrics

FlexWhite

The screen fabric has a matt white surface.



FlexGrey

The screen fabric has a high contrast grey surface.



ReAct

Maximum contrast and optimal colour rendition, even in ambient light environments.



FlexRear

The screen fabric has a grey rear projection surface.



Available Formats

4 : 3
VIDEO

The screen has 5 cm wide black borders. The format of the viewing area is 4:3.

16 : 10
DATA

The screen has 5 cm wide black borders. The format of the viewing area is 16:10.

16 : 9
WIDE

The screen has 5 cm wide black borders. The format of the viewing area is 16:9.

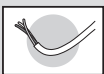
2.35 : 1
CINEMASCOPE

The screen has 5 cm wide black borders. The format of the viewing area is 2.35:1.

Available Control Options

Installation

5m cable. Needs to be installed by electrician.



Switch

The screen is operated by a 3-positions in-line switch.



Remote Control

The screen is operated by a 3-positions IR or RF remote control.



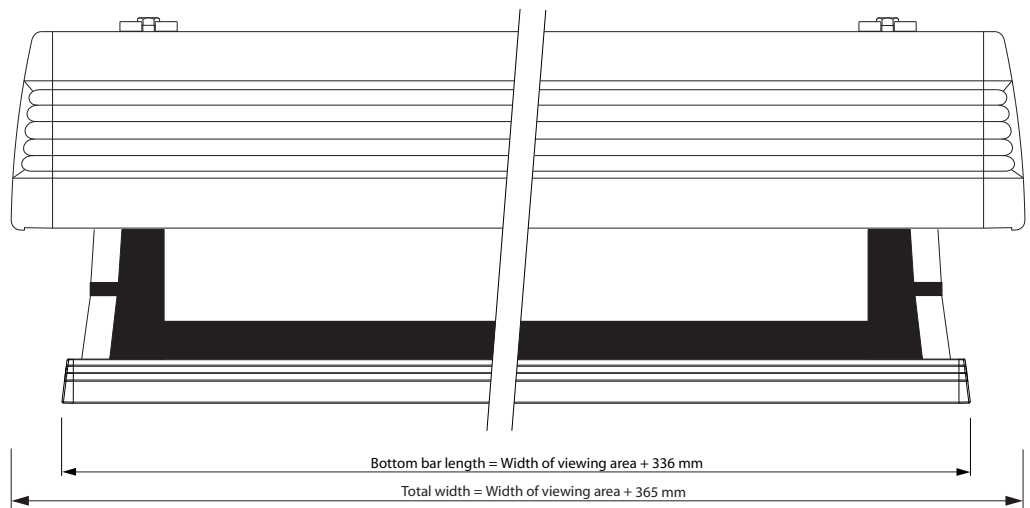
AutoLink

The screen goes automatically down/up when turning the projector on/off.



Diplomat Electric is a high quality screen which, thanks to the robust construction and flexible installation, is the preferred screen among our professional buyers. The installation is very flexible with mounting brackets that can be adjusted sideways to preferred positions. The screen can be mounted on the wall as well as in the ceiling. It comes in a white painted aluminium case and can be operated by an in-line switch, an IR or RF remote control or automatically by an AutoLink connected to the projector. For system installations it's also available with cable only. All control options are easily connected to the screen via the universal connector on the back of the case. The Diplomat Electric TabTension has a tensioning system along the sides which gives the flattest possible viewing surface.

Screen Dimensions

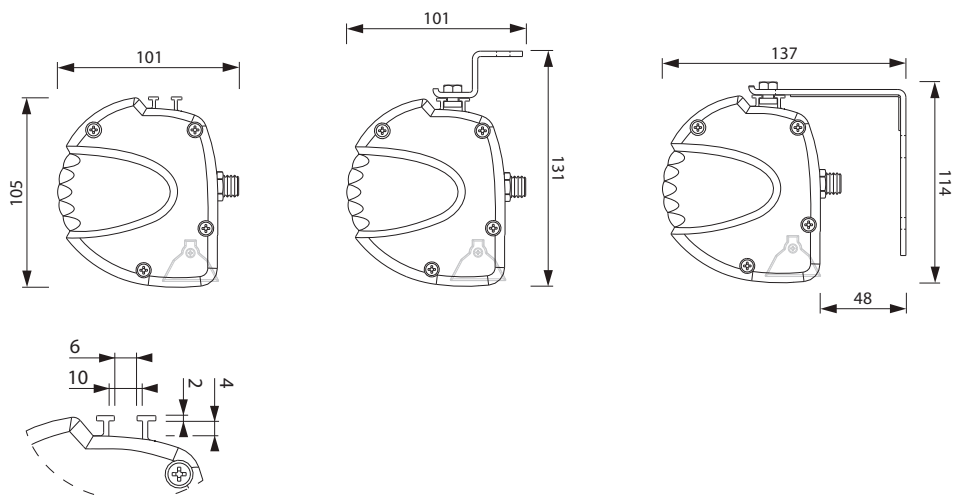


Example

Model: MDT2217-D

Bottom bar: 2100 + 336 = 2436 mm

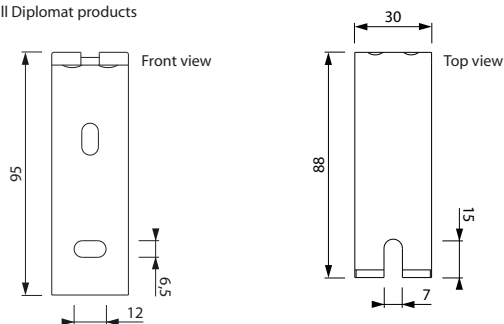
Total width: 2100 mm + 365 mm = 2465 mm



Bracket Dimensions

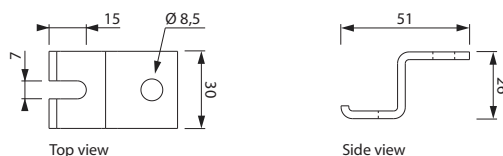
Brackets – Wall

Included in all Diplomat products

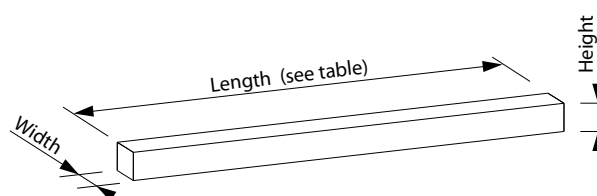


Brackets – Ceiling

Included in all Diplomat products



Packaging Dimensions



Width of viewing area	Box length	Box width	Box height
1500	2320	120	120
1700	2520	120	120
1900	2720	120	120
2100	2920	120	120
2300	3120	120	120
2600	3420	120	120



Switch

Enclosed with the screen, when ordered.

Weight – 0.32kg



Installation

Enclosed with the screen, when ordered.

Weight – 0.40kg



Remote Control

Delivered separately

Art. no euro plug: 210695

UK plug: 210695-UK

Communication – Infrared
 Batteries handcontrol – 2pcs 1,5 volt AAA, included
 Dim. & weights – Handcontrol: 162 x 50 x 28 (0.085kg)
 Receiver: 120 x 72 x 35 (0.42kg)
 Package: 710 x 105 x 56
 Weight all together – 0.64kg



AutoLink

Delivered separately

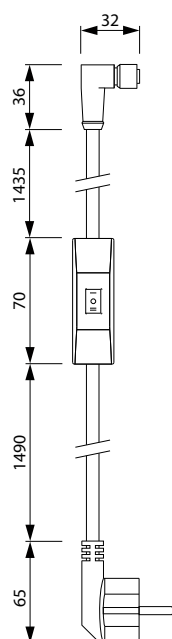
Art. no euro plug: 210700

UK plug: 210700-UK

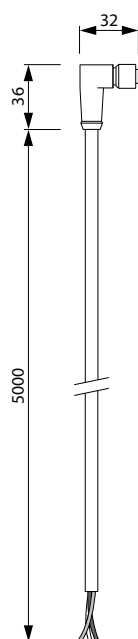
Communication – Infrared
 Dim. & weights – Receiver: 120 x 72 x 35 (0.42kg)
 Transmitter: 103 x 57 x 36 (0.26kg)
 Package: 710 x 105 x 56

Weight all together – 0.87kg

Switch

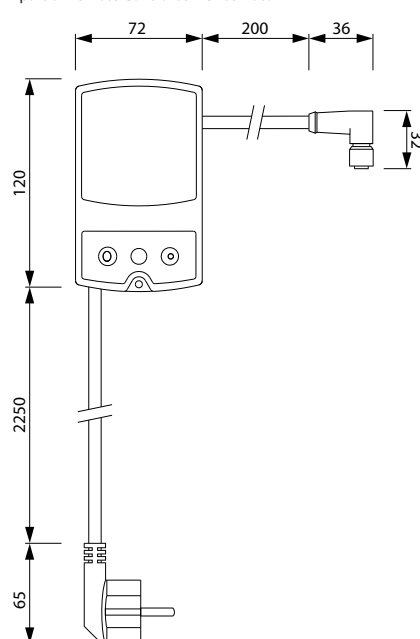


Installation



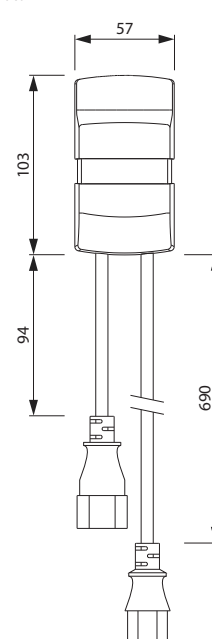
Receiver

part of Remote Control as well as AutoLink



Transmitter

part of AutoLink



All dimensions in this document are in mm.

Document PDSMDT ver 1.0, page 2 of 3



Bjurab Sweden AB
 Kristinebergsvägen 22
 SE-302 41 Halmstad
 Sweden

Tel: +46 – 35 – 144290
 Fax: +46 – 35 – 144291

Email: info@bjurab.se
 Web: www.bjurab.se

Electrical specifications

Plug options



Motorized screens, except Installation version, are delivered with either Euro plug or UK plug (both grounded).

Motor Specifications

Voltage: 230 V Frequency: 50 Hz
Power: 160 W Momentum: 6Nm
Speed: 28 rpm Protection: IP44

The motor is grounded

Cable Specifications

Thickness: Ø 7 mm
Cable area: 4x0,34mm², motor to control
3x0,34mm², control to plug
Wires: Black - Up, Brown - Down
Blue - Neutral
Green/Yellow - Ground

Part Numbers for Diplomat Electric Tab Tension

Video Format, 4 : 3				Data Format, 16 : 10				Wide Format, 16 : 9				Cinemascope Format, 2.35 : 1			
PART. NO.	VIEW. AREA WIDTH x HEIGHT	SCREEN HEIGHT	WT. KG	PART. NO.	VIEW. AREA WIDTH x HEIGHT	SCREEN HEIGHT	WT. KG	PART. NO.	VIEW. AREA WIDTH x HEIGHT	SCREEN HEIGHT	WT. KG	PART. NO.	VIEW. AREA WIDTH x HEIGHT	SCREEN HEIGHT	WT. KG
MDT1617-V	1500 x 1125	~1500	8,0	MDT1617-D	1500 x 940	~1330	8,0	MDT1617-W	1500 x 845	~1300	8,0	MDT1617-C	1500 x 640	~1100	8,0
MDT1817-V	1700 x 1275	~1650	10,0	MDT1817-D	1700 x 1060	~1450	10,0	MDT1817-W	1700 x 955	~1350	10,0	MDT1817-C	1700 x 725	~1100	10,0
MDT2017-V	1900 x 1425	~1800	12,0	MDT2017-D	1900 x 1190	~1580	12,0	MDT2017-W	1900 x 1070	~1450	12,0	MDT2017-C	1900 x 810	~1200	12,0
MDT2217-V	2100 x 1575	~1950	14,0	MDT2217-D	2100 x 1310	~1700	14,0	MDT2217-W	2100 x 1180	~1570	14,0	MDT2217-C	2100 x 895	~1280	14,0
MDT2420-V	2300 x 1725	~2100	16,0	MDT2420-D	2300 x 1440	~1830	16,0	MDT2417-W	2300 x 1295	~1680	16,0	MDT2417-C	2300 x 980	~1370	16,0
MDT2724-V	2600 x 1950	~2340	18,0	MDT2724-D	2600 x 1625	~2000	18,0	MDT2724-W	2600 x 1460	~1850	18,0	MDT2724-C	2600 x 1105	~1490	18,0

All weights are gross (total weight including packaging, brackets etc.).

Standard screen material is FlexWhite.

For part numbers with FlexGrey replace MDT by MGT. Example: An 2217-W with FlexGrey fabric = MGT2217-W

For part numbers with ReAct replace MDT by MST. Example: An 2217-W with ReAct fabric = MST2217-W

For part numbers with FlexRear replace MDT by MRT. Example: An 2217-W with FlexRear fabric = MRT2217-W

Accessories

ARTICLE NO

485030	30 cm brackets, pair
485050	50 cm brackets, pair
485075	75 cm brackets, pair

ARTICLE NO

210603	Switch, 2-positions
210660	RF-control, 3-positions, euro plug
210660-UK	RF-control, 3-positions, UK plug

ARTICLE NO

210604	Keyswitch, 3-positions
400300	Screen Cleaning Spray, 250 ml

